



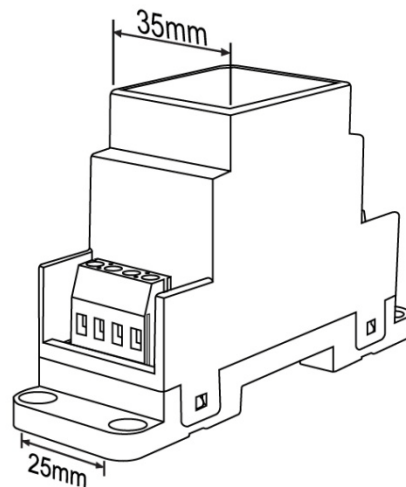
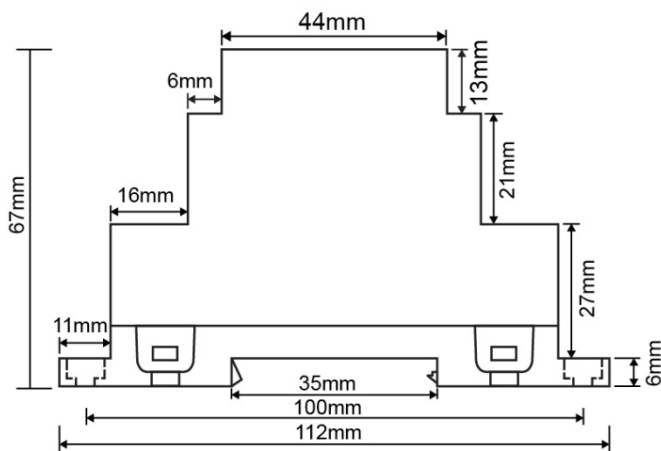
Feature:

- For Power repeat of synchronous changing signal
- Accepts PWM control(Power or Signal Type)
- Single channel control, the max current of channel up to 10A
- Theoretically we can connect limitless LED modules by connecting the repeaters in series.
- Match with many kinds of LED modules

Technical Parameters

Model	RP1-10A-DIN
Input voltage	12-24VDC
Input signal	PWM(Signal or Power Type)
Input /Output channels	1
Output current	10A
Output power	120W(12V)/240W(24V)
Installation	Rail or Screw fixing
Mounting Rails	TS-35/7.5 or TS-35/15
Product Size	112(L) *35 (W)*67(H)mm
Pack Size	354(L)*234(W)*232(H)mm; 60pcs/6.5kg/carton
G.W	90g
Work Temperature	-30 ~ 50°C

Dimension



Wiring Diagram

