

## Datasheet

LED engine specification

Product type:  
**LF-24-365-26.6X23.5B-60-QG**

Description:  
**LuxaLight Industrial LED Fixture Quartz Glass UV-A 365nm 26.6X23.5mm  
(24 Volt, 3535, IP20)**



Date:  
19-02-2024

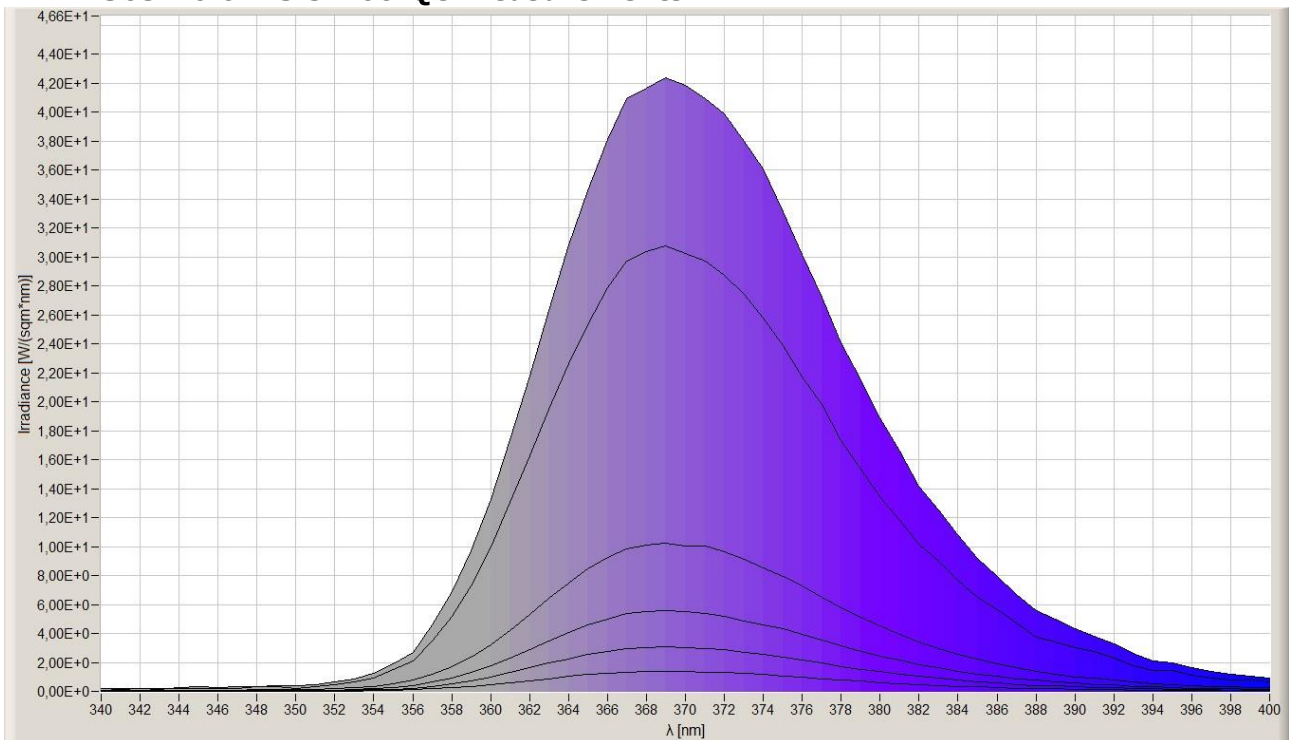
Page 1 of 5

Technical Specifications				
LF-24-365-26.6x23.5B-60-QG		Quartz Glass QG		
General	LED Type	3535 SMD		
	LED Quantity	30 LEDs / Engine		
	Dimensions	220mm - 3000mm * 26.6mm * 23.5mm (L * B * H)		
	Weight	Variable, depending on length		
	Infosheet	<a href="#">LuxaLight Industrial LED Fixtures infopage</a>		
Environment	Working Temperature	-5°C ~ +60°C		
	Storing Temperature	-5°C ~ +60°C		
	IP Grade	IP20		
	Mechanical Protection	1,5mm thick Quartz Glass		
	Housing material	Anodized aluminium		
	Moulding Resin	N.A.		
Electronic	Working Voltage	24VDC		
	Working Current	0,9 A / Engine		
	Working Wattage	21,6 W / Engine		
	LED Engine type	<a href="#">LuxaLight LED Engine UV-A 365nm 24V 2835 IP64</a>		
	Driving Method	Constant Voltage		
	Cable type	<a href="#">PUR Cable 4x 0.5mm² Gray   LuxaLight</a>		
	NTC Resistance	5KOhm		
	NTC Beta	3950		
Lighting	Voltage at measurement	24VDC		
	Current at measurement	0,9 A		
	Wattage at measurement	21,6 W		
	Engine Wavelength (nm)	365nm UV-A		
	Peak Measured Wavelength (5cm)	369nm		
	Peak Measured Radiance per distance (cm) (1 LED Engine)	7,5	420 mJ/cm²	42 W/m²
		10	310 mJ/cm²	31 W/m²
		20	102 mJ/cm²	10,2 W/m²
		30	56 mJ/cm²	5,6 W/m²
		40	31 mJ/cm²	3,1 W/m²
		60	14 mJ/cm²	1,4 W/m²
	Total Radiance per distance 230nm - 1000nm (cm) (1 LED Engine)	7,5	8220 mJ/cm²	822 W/m²
		10	6000 mJ/cm²	600 W/m²
		20	2050 mJ/cm²	205 W/m²
		30	1110 mJ/cm²	111 W/m²
40		609 mJ/cm²	60,9 W/m²	
60		277 mJ/cm²	27,7 W/m²	
Output Reduction Approx. Due to cover	5% - 10%			
Viewing Angle (θ)	60 ±5°			
<i>Keep the LED Fixture within operating temperatures, for more information about heat management, read the 'Luxalight modular LED Fixtures infosheet'.</i>				

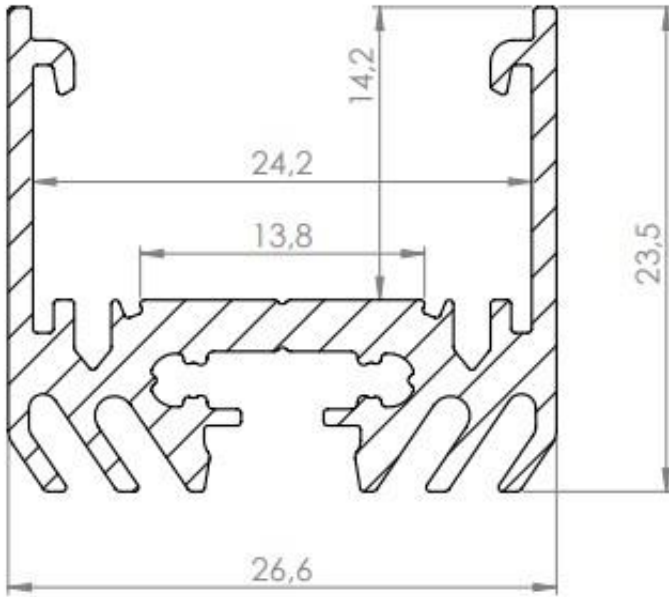
Additional Benefits of LuxaLight Industrial LED Fixture	
Benefits of LED Fixture	Multiple wavelengths in one housing
	No optics required due to high output
	Applicable in Humid environments (PU Version)
	Custom cable output and/or connector
	Wide range of mounting options
	In-house expertise to personally advice on LED fixture customization
	*By using the pulse mode in combination with real-time monitoring extremely high output
	*Different wavelengths in one fixture that can be controlled/pulsed separately

*\*In combination with the MaNima Pollux Industry*

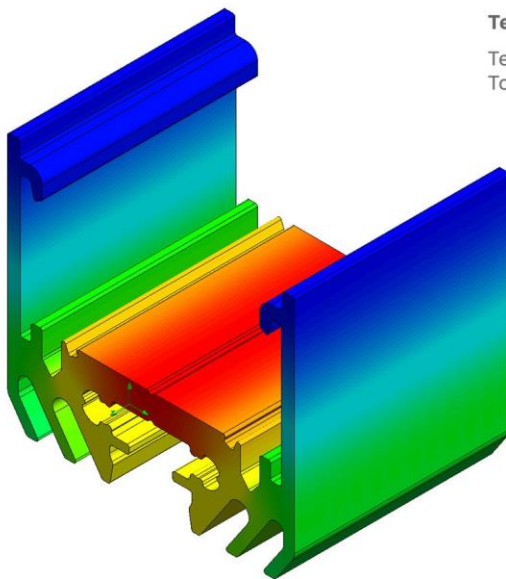
### LF-24-365-26.6X23.5B-60-QG measurements



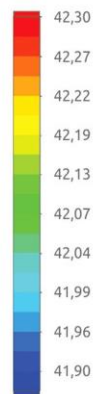
## Dimensions



## Temperature Distribution



**Temperature (Solid) [°C]**  
 Temperature ambient: 25°C  
 Total power: 21,6 W/m



**Certificate of Conformity:**

EC Council Directive 2004/108/EC  
Electromagnetic Compatibility

**Complies to the standards:**

- NEN-EN-IEC 61000-3-2:2019/A1:2021
- NEN-EN-IEC 61000-3-3:2013+A1:2017+A2:2021
- NEN-EN-IEC 61547:2009

While LuxaLight has made every reasonable effort to ensure the accuracy of the information in this brochure, LuxaLight does not guarantee that it is error-free, nor does LuxaLight make any other representation, warranty or guarantee that the information is accurate, correct, reliable or current. LuxaLight reserves the right to make any adjustments to the information contained herein at any time without notice. LuxaLight expressly disclaims all implied warranties regarding the information contained herein, including, but not limited to, any implied warranties of merchantability or fitness for a particular purpose. The dimensions in this catalogue are for reference purposes only and are subject to change without notice. Specifications are subject to change without notice. Consult LuxaLight for the latest dimensions and design specifications.