

## Datasheet

LED engine specification

Product type:  
**LF-24-365-26.6X23.5-60-QG**

Description:  
**LuxaLight Industrial LED Fixture Quartz Glass UV-A 365nm 26.6X23.5mm  
(24 Volt, 3535, IP20)**



Date:  
19-02-2024

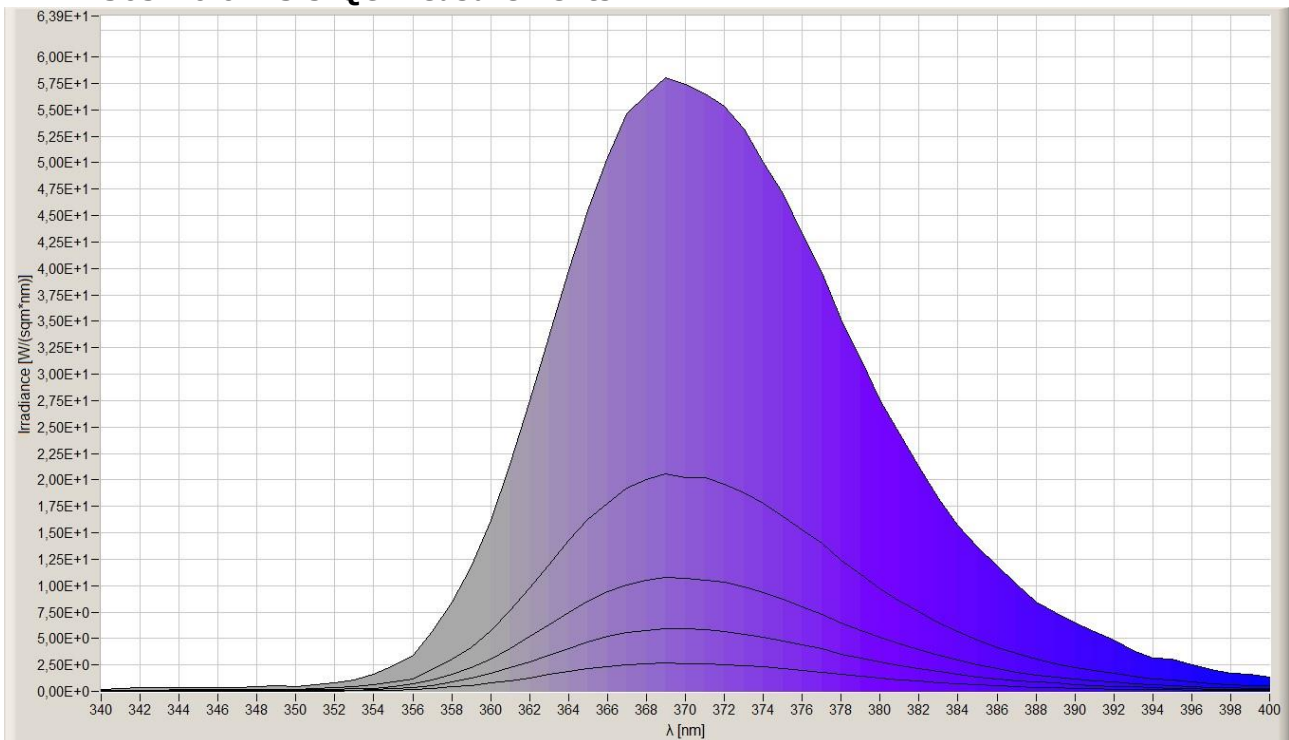
Page 1 of 5

| Technical Specifications  |  |   |                          |                       |
|---|--|---|--------------------------|-----------------------|
| LF-24-365-26.6x23.5-60-QG   |  | Quartz Glass<br>QG  |                          |                       |
| General   | LED Type   | 3535 SMD  |                          |                       |
|   | LED Quantity   | 60 LEDs / Engine  |                          |                       |
|   | Dimensions   | 220mm - 3000mm * 26.6mm * 23.5mm (L * B * H)                    |                          |                       |
|   | Weight   | Variable, depending on length                                   |                          |                       |
|   | Infosheet  | <a href="#">LuxaLight Industrial LED Fixtures infopage</a>      |                          |                       |
| Environment   | Working Temperature  | -5°C ~ +60°C  |                          |                       |
|   | Storing Temperature  | -5°C ~ +60°C  |                          |                       |
|   | IP Grade   | IP64  |                          |                       |
|   | Mechanical Protection  | 1,5mm thick Quartz Glass  |                          |                       |
|   | Housing material   | Anodized aluminium  |                          |                       |
|   | Moulding Resin   | N.A.  |                          |                       |
| Electronic  | Working Voltage  | 24VDC   |                          |                       |
|   | Working Current  | 1,25 A / Engine   |                          |                       |
|   | Working Wattage  | 30 W / Engine   |                          |                       |
|   | LED Engine type  | <a href="#">LuxaLight LED Engine UV-A 365nm 24V 2835 IP64</a>   |                          |                       |
|   | Driving Method   | Constant Voltage  |                          |                       |
|   | Cable type   | <a href="#">PUR Cable 4x 0.5mm<sup>2</sup> Gray   LuxaLight</a> |                          |                       |
|   | NTC Resistance   | 5KOhm   |                          |                       |
|   | NTC Beta   | 3950  |                          |                       |
| Lighting  | Voltage at measurement   | 24VDC   |                          |                       |
|   | Current at measurement   | 1,8 A   |                          |                       |
|   | Wattage at measurement   | 43,2 W  |                          |                       |
|   | Engine Wavelength (nm)   | 365nm UV-A  |                          |                       |
|   | Peak Measured Wavelength (5cm)                                 | 369nm   |                          |                       |
|   | Peak Measured Radiance per distance (cm) (1 LED Engine)        | 10  | 580 mJ/cm <sup>2</sup>   | 58 W/m <sup>2</sup>   |
|   |  | 20  | 210 mJ/cm <sup>2</sup>   | 21 W/m <sup>2</sup>   |
|   |  | 30  | 110 mJ/cm <sup>2</sup>   | 11 W/m <sup>2</sup>   |
|   |  | 40  | 59 mJ/cm <sup>2</sup>    | 5,9 W/m <sup>2</sup>  |
|   |  | 60  | 27 mJ/cm <sup>2</sup>    | 2,7 W/m <sup>2</sup>  |
|   | Total Radiance per distance 230nm - 1000nm (cm) (1 LED Engine) | 10  | 11290 mJ/cm <sup>2</sup> | 1129 W/m <sup>2</sup> |
|   |  | 20  | 4140 mJ/cm <sup>2</sup>  | 414 W/m <sup>2</sup>  |
|   |  | 30  | 2170 mJ/cm <sup>2</sup>  | 217 W/m <sup>2</sup>  |
|   |  | 40  | 1200 mJ/cm <sup>2</sup>  | 120 W/m <sup>2</sup>  |
|   |  | 60  | 540 mJ/cm <sup>2</sup>   | 54 W/m <sup>2</sup>   |
| Output Reduction Approx. Due to cover   | 5% - 10%   |   |                          |                       |
| Viewing Angle (θ)   | 60 ±5°   |   |                          |                       |
| <i>Keep the LED Fixture within operating temperatures, for more information about heat management, read the 'Luxalight modular LED Fixtures infosheet'.</i> |  |   |                          |                       |

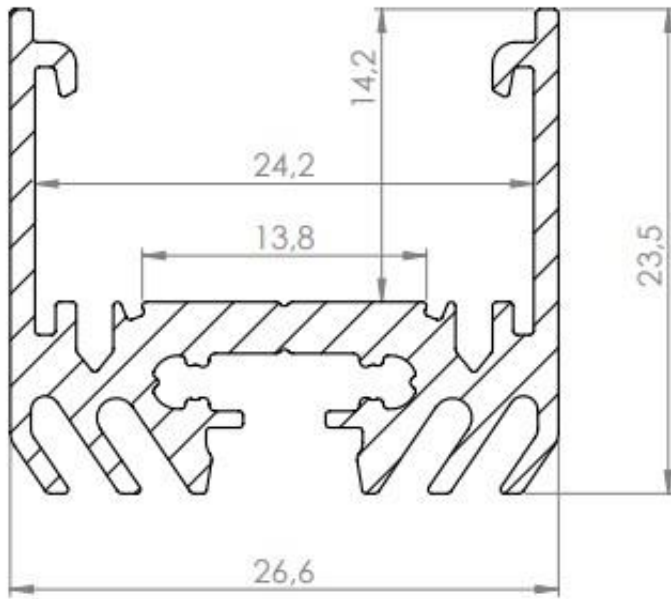
| Additional Benefits of LuxaLight Industrial LED Fixture |   |
|---|---|
| Benefits of LED Fixture                                 | Multiple wavelengths in one housing   |
|   | No optics required due to high output   |
|   | Applicable in Humid environments (PU Version)   |
|   | Custom cable output and/or connector  |
|   | Wide range of mounting options  |
|   | In-house expertise to personally advice on LED fixture customization                    |
|   | *By using the pulse mode in combination with real-time monitoring extremely high output |
|   | *Different wavelengths in one fixture that can be controlled/pulsed separately          |

*\*In combination with the MaNima Pollux Industry*

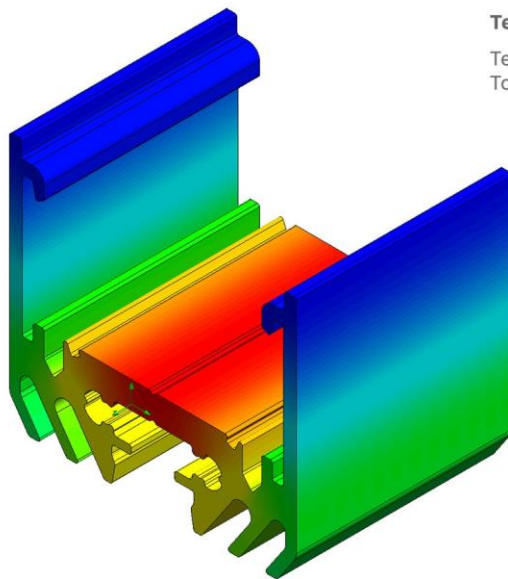
### LF-24-365-26.6X23.5-QG measurements



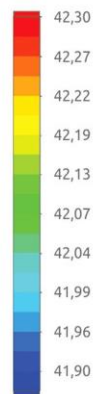
## Dimensions



## Temperature Distribution



**Temperature (Solid) [°C]**  
 Temperature ambient: 25°C  
 Total power: 21,6 W/m



**Certificate of Conformity:**

EC Council Directive 2004/108/EC  
Electromagnetic Compatibility

**Complies to the standards:**

- NEN-EN-IEC 61000-3-2:2019/A1:2021
- NEN-EN-IEC 61000-3-3:2013+A1:2017+A2:2021
- NEN-EN-IEC 61547:2009

While LuxaLight has made every reasonable effort to ensure the accuracy of the information in this brochure, LuxaLight does not guarantee that it is error-free, nor does LuxaLight make any other representation, warranty or guarantee that the information is accurate, correct, reliable or current. LuxaLight reserves the right to make any adjustments to the information contained herein at any time without notice. LuxaLight expressly disclaims all implied warranties regarding the information contained herein, including, but not limited to, any implied warranties of merchantability or fitness for a particular purpose. The dimensions in this catalogue are for reference purposes only and are subject to change without notice. Specifications are subject to change without notice. Consult LuxaLight for the latest dimensions and design specifications.