

## Datasheet

LED engine specification

Product type:  
**LF-24-4200-24.2X16-OC**

Description:  
**LuxaLight Industrial LED Fixture Opaline cover Neutral White 4200K  
24.2x16mm**



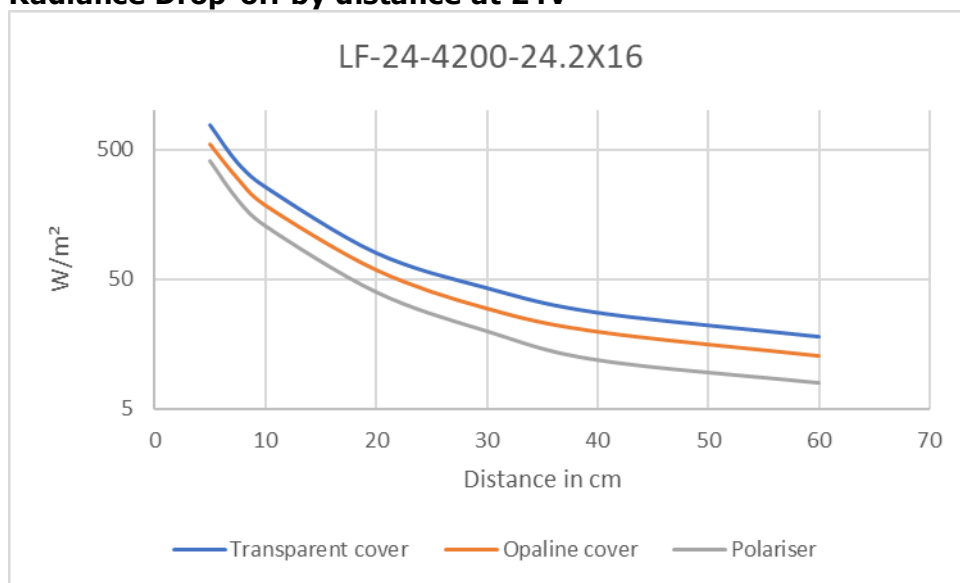
Date:  
05-12-2023

Page 1 of 6

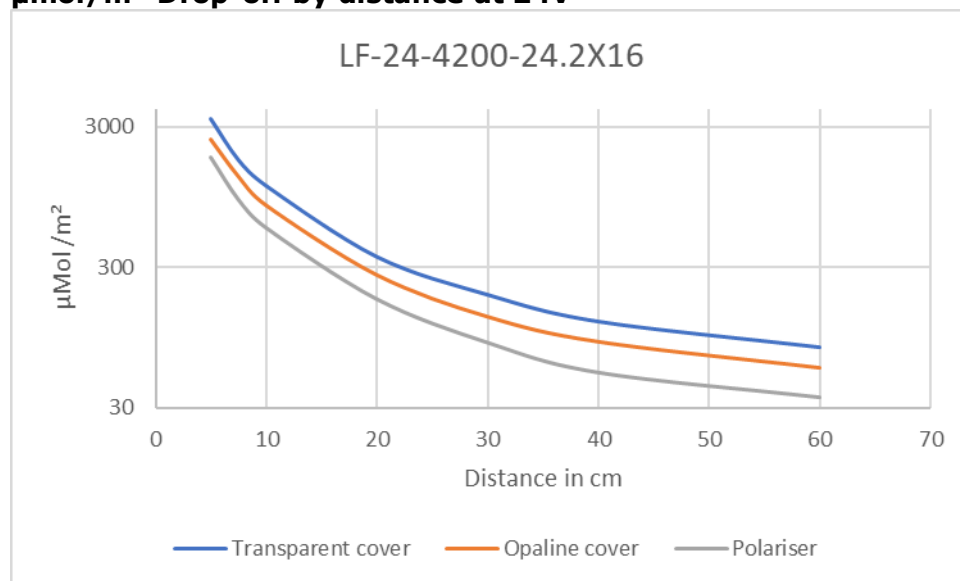
Technical Specifications					
LF-24-4200-24.2x16-OC		Opaline cover OC			
General	LED Type	2835 SMD			
	LED Quantity	108 LEDs / Engine			
	Dimensions	220mm - 3000mm * 24,2mm * 16mm (L x B x H)			
	Weight	Variable, depending on moulding and length			
	Infosheet	<a href="#">LuxaLight Industrial LED Fixture infopage</a>			
Environment	Working Temperature	-5°C ~ +60°C			
	Storing Temperature	-5°C ~ +60°C			
	IP Grade	IP64			
	Mechanical Protection	Opaline PMMA cover			
	Moulding Resin	N.A.			
	Housing material	Anodized aluminium			
Electronic	Working Voltage	DC24V			
	Working Current	1,25 A / Engine			
	Working Wattage	30 W / Engine			
	LED Engine type	<a href="#">LuxaLight LED Engine Neutral White 4200K 2835 IP64</a>			
	Driving Method	Constant Voltage			
	Cable type	<a href="#">PUR Cable 4x 0.5mm² Gray   LuxaLight</a>			
	NTC Resistance	5KOhm			
	NTC Beta	3950			
Lighting	Engine Colour temperature(K)	4200K Neutral White			
	CRI	≥ 95 Ra			
	BIN	3 SDCM			
	Voltage at measurement	24V	29V	34V	
	Current at measurement	1,25A	1,9A	2,65A	
	Wattage at measurement	30W	55,1W	90,1W	
	Peak Colour temp. (5cm)	4149k			
	Total Radiance per distance 230nm - 1000nm (cm) (1 LED Engine)	5	555 W/m²	807 W/m²	1068 W/m²
		7,5	302 W/m²	439 W/m²	581 W/m²
		10	188 W/m²	273 W/m²	361 W/m²
		20	60 W/m²	87 W/m²	115 W/m²
		30	30 W/m²	44 W/m²	58 W/m²
		40	20 W/m²	29 W/m²	38 W/m²
		60	13 W/m²	19 W/m²	25 W/m²
	Total Lux per distance (CIE1931 2°) (1 LED Engine)	5	160 klx	234 klx	308 klx
		7,5	87 klx	127 klx	167 klx
		10	54 klx	79 klx	104 klx
		20	17 klx	25 klx	33 klx
		30	8,7 klx	13 klx	17 klx
		40	5,8 klx	8,7 klx	11 klx
		60	3,8 klx	5,7 klx	7,2 klx
	Total PPFD (400nm - 700nm) (1 LED Engine)	5	2470 µmol/m²	3513 µmol/m²	4605 µmol/m²
		7,5	1342 µmol/m²	1963 µmol/m²	2573 µmol/m²
10		836 µmol/m²	1223 µmol/m²	1603 µmol/m²	
20		266 µmol/m²	389 µmol/m²	510 µmol/m²	
30		134 µmol/m²	196 µmol/m²	257 µmol/m²	
40		88,8 µmol/m²	130 µmol/m²	170 µmol/m²	
60		57,8 µmol/m²	84,6 µmol/m²	111 µmol/m²	
Output Reduction Approx.	25% - 30%				
Viewing Angle (θ)	120 ±5°				
<i>Keep the LED Fixture within operating temperatures, for more information about heat management, read the 'LuxaLight modular LED Fixtures infosheet'.</i>					

Additional Benefits of LuxaLight Industrial LED Fixture	
Benefits of LED Fixture	Multiple wavelengths in one housing
	No optics required due to high output
	Applicable in Humid environments (PU Version)
	Custom cable output and/or connector
	Wide range of mounting options
	In-house expertise to personally advice on LED fixture customization
	*By using the pulse mode in combination with real-time monitoring extremely high output
	*Different wavelengths in one fixture that can be controlled/pulsed separately

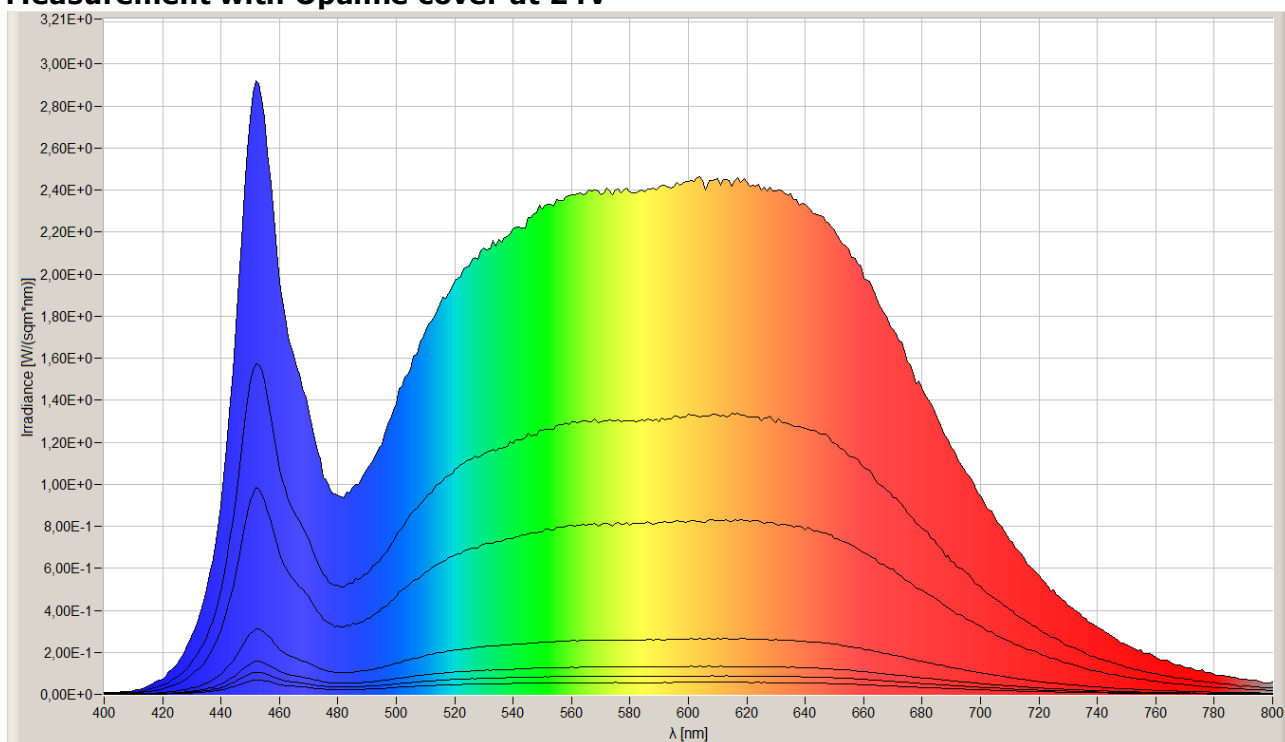
### Radiance Drop-off by distance at 24V



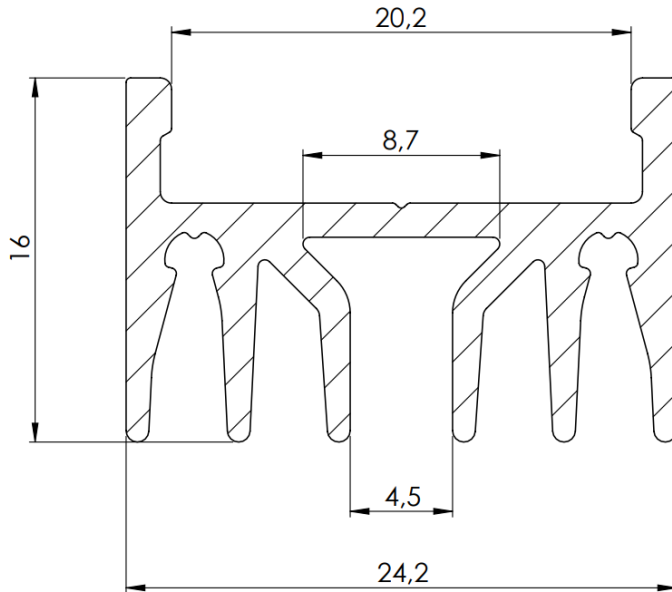
### µmol/m² Drop-off by distance at 24V



## Measurement with Opaline cover at 24V



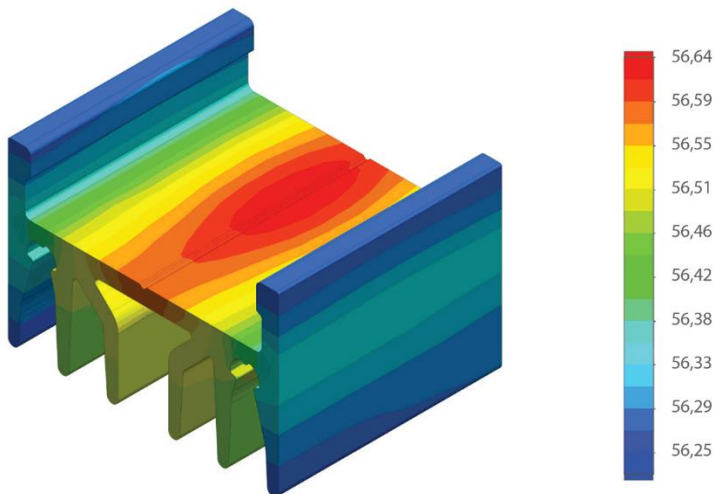
## Dimensions



## Temperature Distribution

Temperature (Solid) [°C]

Temperature ambient: 25°C  
Total power: 36 W/m



**Certificate of Conformity:**

EC Council Directive 2004/108/EC  
Electromagnetic Compatibility

**Complies to the standards:**

- NEN-EN-IEC 61000-3-2:2019/A1:2021
- NEN-EN-IEC 61000-3-3:2013+A1:2017+A2:2021
- NEN-EN-IEC 61547:2009

While LuxaLight has made every reasonable effort to ensure the accuracy of the information in this brochure, LuxaLight does not guarantee that it is error-free, nor does LuxaLight make any other representation, warranty or guarantee that the information is accurate, correct, reliable or current. LuxaLight reserves the right to make any adjustments to the information contained herein at any time without notice. LuxaLight expressly disclaims all implied warranties regarding the information contained herein, including, but not limited to, any implied warranties of merchantability or fitness for a particular purpose. The dimensions in this catalogue are for reference purposes only and are subject to change without notice. Specifications are subject to change without notice. Consult LuxaLight for the latest dimensions and design specifications.