

Datasheet

LED engine specification

Product type:

LF-24-265-26.6X23.5

Description:

**LuxaLight Industrial LED Fixture UV-C 265nm 3535 60° 26,6 x 23,5mm
(24 Volt, 3535, IP64)**



Date:

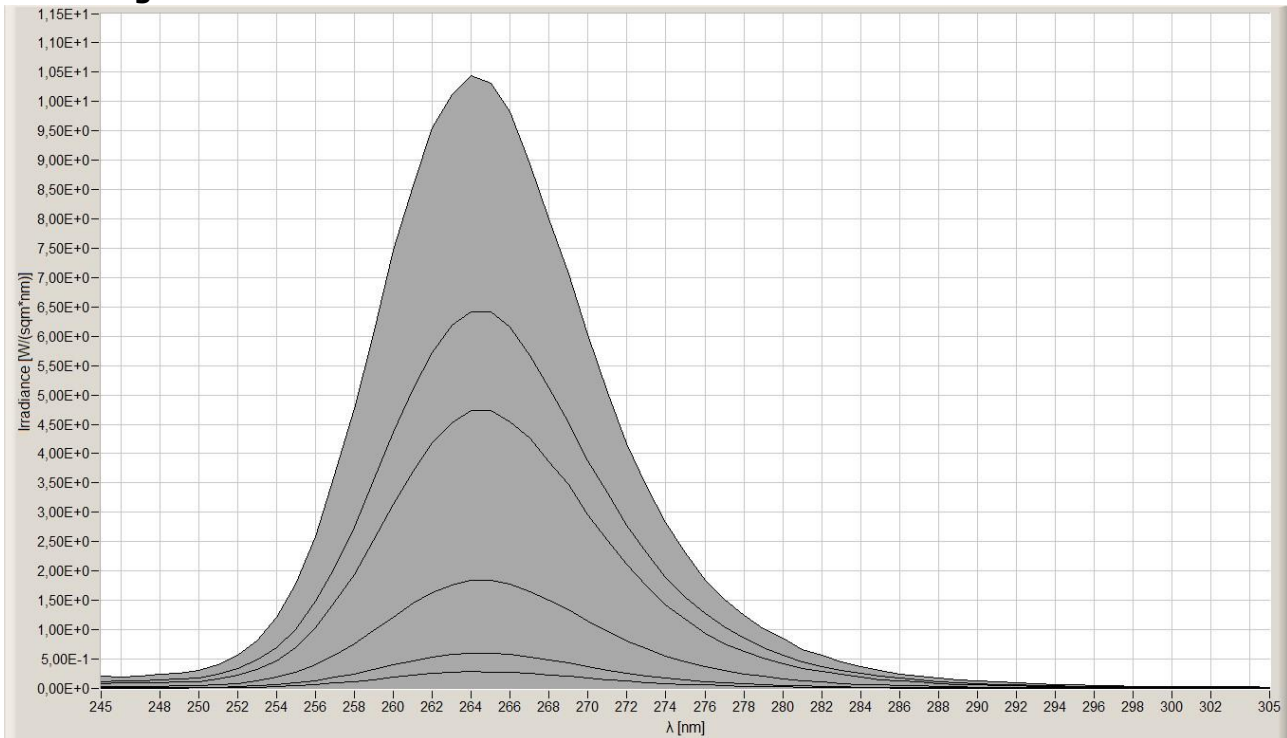
21-11-2023

Page 1 of 5

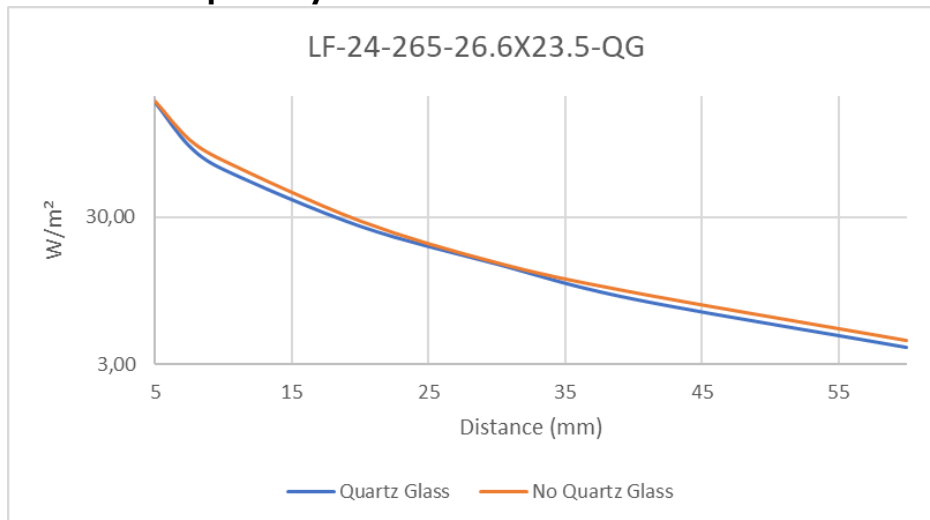
Technical Specifications						
LF-24-265-26.6x23.5			No cover			
General	LED Type		3535 SMD			
	LED Quantity		57 LEDs / Engine			
	Dimensions		220mm - 3000mm * 26.6mm * 23.5mm (L * B * H)			
	Weight		Variable, depending on moulding and length			
	Infosheet		LuxaLight Industrial LED Fixtures infopage			
Environment	Working Temperature		-5°C ~ +60°C			
	Storing Temperature		-5°C ~ +60°C			
	IP Grade		IP64			
	Mechanical Protection		Nano silicone layer			
	Housing material		Anodized aluminium			
	Moulding Resin		N.A.			
Electronic	Working Voltage		DC24V			
	Working Current		2,09 A / Engine			
	Working Wattage		50,2 W / Engine			
	LED Engine type		LuxaLight LED Engine UV-C 265nm 3535 60°			
	Driving Method		Constant Voltage			
	Cable type		PUR Cable 4x 0.5mm² Gray LuxaLight			
	NTC Resistance		5KOhm			
	NTC Beta		3950			
Lighting	Voltage at measurement		18.1V	24VDC		
	Current at measurement		0,47 A	2,09 A		
	Wattage at measurement		10,2 W	50,2 W		
	Engine Wavelength (nm)		265nm UV-C			
	Peak Measured Wavelength (5cm)		265nm			
	Peak Measured Radiance per distance (cm) (1 LED Engine)	5	30 mJ/cm²	3 W/m²	100 mJ/cm²	10 W/m²
		7,5	17 mJ/cm²	1,7 W/m²	64 mJ/cm²	6,4 W/m²
		10	13 mJ/cm²	1,3 W/m²	47 mJ/cm²	4,7 W/m²
		20	5 mJ/cm²	0,5 W/m²	18 mJ/cm²	1,8 W/m²
		30	3 mJ/cm²	0,3 W/m²	9 mJ/cm²	0,9 W/m²
		40	2 mJ/cm²	0,2 W/m²	6 mJ/cm²	0,6 W/m²
		60	0,7 mJ/cm²	0,07 W/m²	3 mJ/cm²	0,3 W/m²
	Total Radiance per distance 230nm - 1000nm (cm) (1 LED Engine)	5	433 mJ/cm²	43,3 W/m²	1526 mJ/cm²	152,6 W/m²
		7,5	247 mJ/cm²	24,7 W/m²	947 mJ/cm²	94,7 W/m²
		10	184 mJ/cm²	18,4 W/m²	698 mJ/cm²	69,8 W/m²
		20	71 mJ/cm²	7,1 W/m²	271 mJ/cm²	27,1 W/m²
30		40 mJ/cm²	4 W/m²	129 mJ/cm²	12,9 W/m²	
40		23 mJ/cm²	2,3 W/m²	88 mJ/cm²	8,8 W/m²	
60	11 mJ/cm²	1,1 W/m²	42 mJ/cm²	4,16 W/m²		
Output Reduction Approx. Due to cover		No cover				
Viewing Angle (θ)		120 ±5°				
<i>Keep the LED Fixture within operating temperatures, for more information about heat management, read the 'Luxalight modular LED Fixtures infosheet'.</i>						

Additional Benefits of LuxaLight Industrial LED Fixtures	
Benefits of LED Fixture	Multiple wavelengths in one housing
	No optics required due to high output
	Custom cable output and/or connector
	Wide range of mounting options
	In-house expertise to personally advice LED fixture customization
	*By using the pulse mode in combination with real-time monitoring extremely high output
	*Different wavelengths in one fixture that can be controlled/pulsed separately

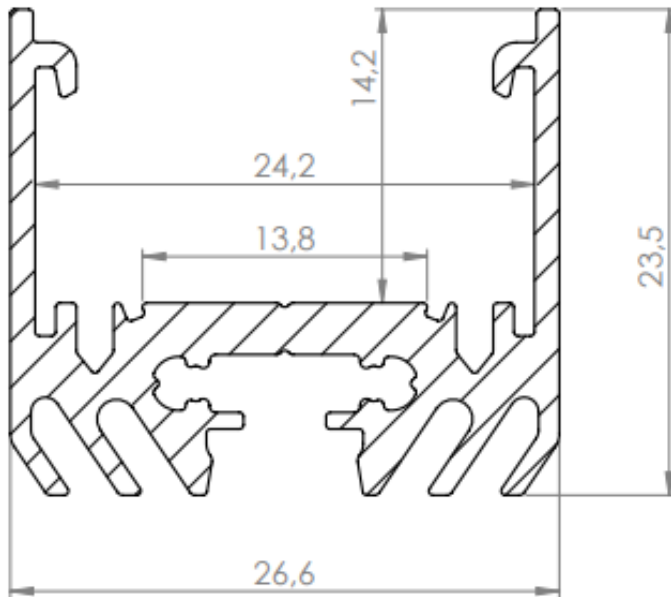
Wavelength UV-C 265nm at 24V:



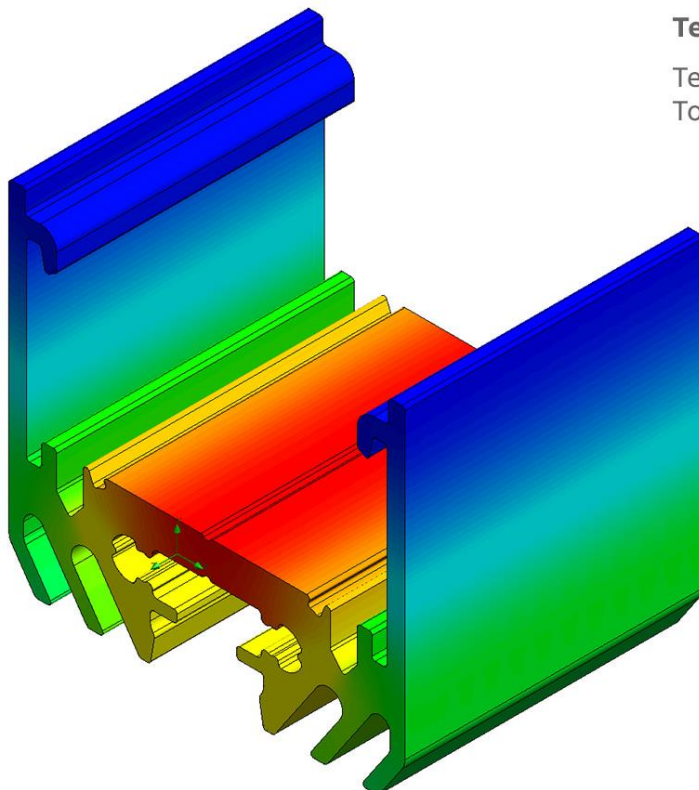
Radiance Drop-off by distance



Dimensions



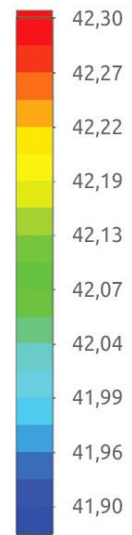
Temperature Distribution



Temperature (Solid) [°C]

Temperature ambient: 25°C

Total power: 21,6 W/m



Certificate of Conformity:

EC Council Directive 2004/108/EC
Electromagnetic Compatibility

Complies to the standards:

- NEN-EN-IEC 61000-3-2:2019/A1:2021
- NEN-EN-IEC 61000-3-3:2013+A1:2017+A2:2021
- NEN-EN-IEC 61547:2009

While LuxaLight has made every reasonable effort to ensure the accuracy of the information in this brochure, LuxaLight does not guarantee that it is error-free, nor does LuxaLight make any other representation, warranty or guarantee that the information is accurate, correct, reliable or current. LuxaLight reserves the right to make any adjustments to the information contained herein at any time without notice. LuxaLight expressly disclaims all implied warranties regarding the information contained herein, including, but not limited to, any implied warranties of merchantability or fitness for a particular purpose. The dimensions in this catalogue are for reference purposes only and are subject to change without notice. Specifications are subject to change without notice. Consult LuxaLight for the latest dimensions and design specifications.