

Datasheet

LED engine specification

Product type:
LF-24-265-26.6X23.5-QG

Description:
**LuxaLight Industrial LED Fixture Quartz Glass UV-C 265nm 3535 60° 26,6 x
23,5mm
(24 Volt, 3535, IP64)**



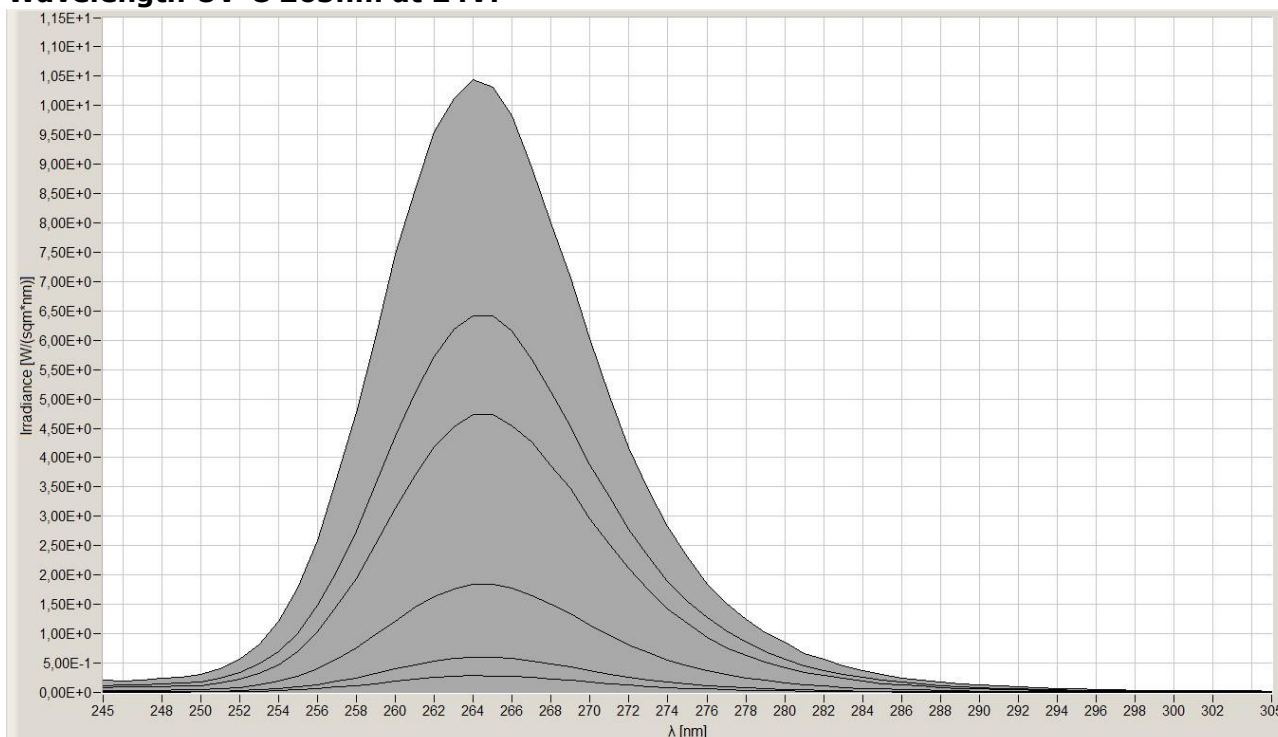
Date:
21-11-2023

Page 1 of 5

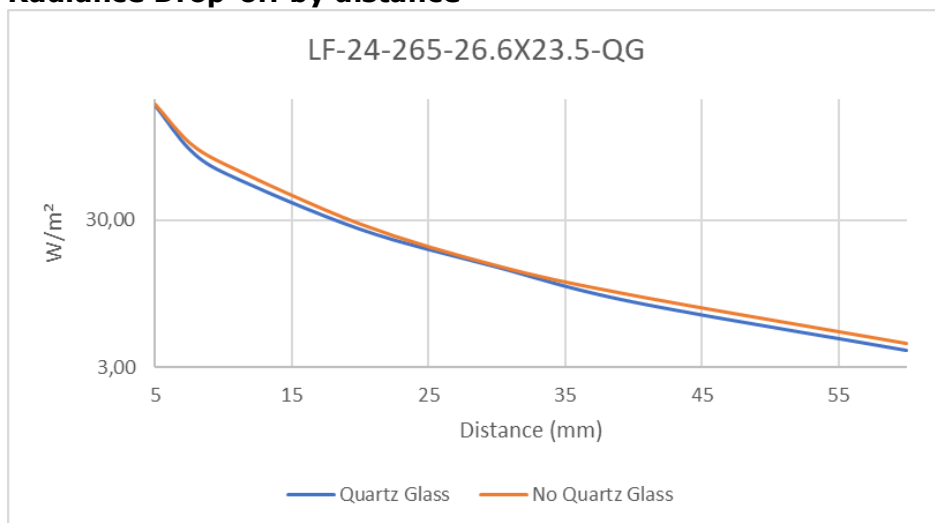
Technical Specifications						
LF-24-265-26.6x23.5-QG			Quartz Glass QG			
General	LED Type	3535 SMD				
	LED Quantity	57 LEDs / Engine				
	Dimensions	220mm - 3000mm * 26.6mm * 23.5mm (L * B * H)				
	Weight	Variable, depending on moulding and length				
	Infosheet	LuxaLight Industrial LED Fixtures infopage				
Environment	Working Temperature	-5°C ~ +60°C				
	Storing Temperature	-5°C ~ +60°C				
	IP Grade	IP64				
	Mechanical Protection	1,5mm thick Quartz Glass				
	Housing material	Anodized aluminium				
	Moulding Resin	N.A.				
Electronic	Working Voltage	DC24V				
	Working Current	2,09 A / Engine				
	Working Wattage	50,2 W / Engine				
	LED Engine type	LuxaLight LED Engine UV-C 265nm 3535 60°				
	Driving Method	Constant Voltage				
	Cable type	PUR Cable 4x 0.5mm² Gray LuxaLight				
	NTC Resistance	5KOhm				
	NTC Beta	3950				
Lighting	Voltage at measurement	18.1V	24VDC			
	Current at measurement	0,47 A	2,09 A			
	Wattage at measurement	10,2 W	50,2 W			
	Engine Wavelength (nm)	265nm UV-C				
	Peak Measured Wavelength (5cm)	265nm				
	Peak Measured Radiance per distance (cm) (1 LED Engine)	5	30 mJ/cm ²	3 W/m ²	100 mJ/cm ²	10 W/m ²
		7,5	17 mJ/cm ²	1,7 W/m ²	64 mJ/cm ²	6,4 W/m ²
		10	13 mJ/cm ²	1,3 W/m ²	47 mJ/cm ²	4,7 W/m ²
		20	5 mJ/cm ²	0,5 W/m ²	18 mJ/cm ²	1,8 W/m ²
		30	3 mJ/cm ²	0,3 W/m ²	9 mJ/cm ²	0,9 W/m ²
		40	2 mJ/cm ²	0,2 W/m ²	6 mJ/cm ²	0,6 W/m ²
		60	0,7 mJ/cm ²	0,07 W/m ²	3 mJ/cm ²	0,3 W/m ²
	Total Radiance per distance 230nm - 1000nm (cm) (1 LED Engine)	5	433 mJ/cm ²	43,3 W/m ²	1526 mJ/cm ²	152,6 W/m ²
		7,5	247 mJ/cm ²	24,7 W/m ²	947 mJ/cm ²	94,7 W/m ²
		10	184 mJ/cm ²	18,4 W/m ²	698 mJ/cm ²	69,8 W/m ²
		20	71 mJ/cm ²	7,1 W/m ²	271 mJ/cm ²	27,1 W/m ²
		30	40 mJ/cm ²	4 W/m ²	129 mJ/cm ²	12,9 W/m ²
40		23 mJ/cm ²	2,3 W/m ²	88 mJ/cm ²	8,8 W/m ²	
60		11 mJ/cm ²	1,1 W/m ²	42 mJ/cm ²	4,16 W/m ²	
Output Reduction Approx. Due to cover	5% - 10%					
Viewing Angle (θ)	120 ±5°					
<i>Keep the LED Fixture within operating temperatures, for more information about heat management, read the 'Luxalight modular LED Fixtures infosheet'.</i>						

Additional Benefits of LuxaLight Industrial LED Fixtures	
Benefits of LED Fixture	Multiple wavelengths in one housing
	No optics required due to high output
	Custom cable output and/or connector
	Wide range of mounting options
	In-house expertise to personally advice LED fixture customization
	*By using the pulse mode in combination with real-time monitoring extremely high output
	*Different wavelengths in one fixture that can be controlled/pulsed separately

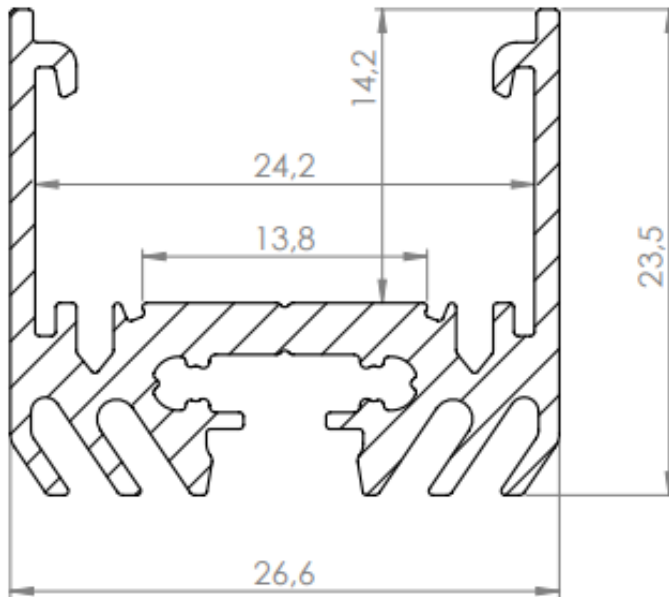
Wavelength UV-C 265nm at 24V:



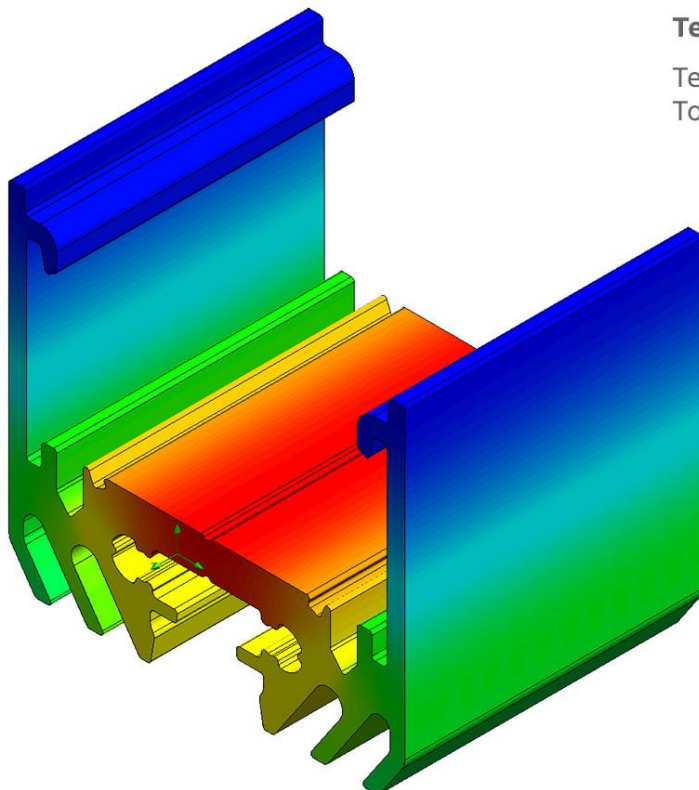
Radiance Drop-off by distance



Dimensions



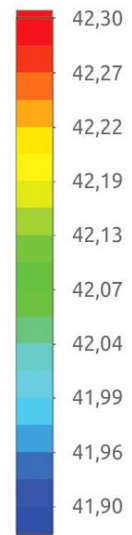
Temperature Distribution



Temperature (Solid) [°C]

Temperature ambient: 25°C

Total power: 21,6 W/m



Certificate of Conformity:

EC Council Directive 2004/108/EC
Electromagnetic Compatibility

Complies to the standards:

- NEN-EN-IEC 61000-3-2:2019/A1:2021
- NEN-EN-IEC 61000-3-3:2013+A1:2017+A2:2021
- NEN-EN-IEC 61547:2009

While LuxaLight has made every reasonable effort to ensure the accuracy of the information in this brochure, LuxaLight does not guarantee that it is error-free, nor does LuxaLight make any other representation, warranty or guarantee that the information is accurate, correct, reliable or current. LuxaLight reserves the right to make any adjustments to the information contained herein at any time without notice. LuxaLight expressly disclaims all implied warranties regarding the information contained herein, including, but not limited to, any implied warranties of merchantability or fitness for a particular purpose. The dimensions in this catalogue are for reference purposes only and are subject to change without notice. Specifications are subject to change without notice. Consult LuxaLight for the latest dimensions and design specifications.