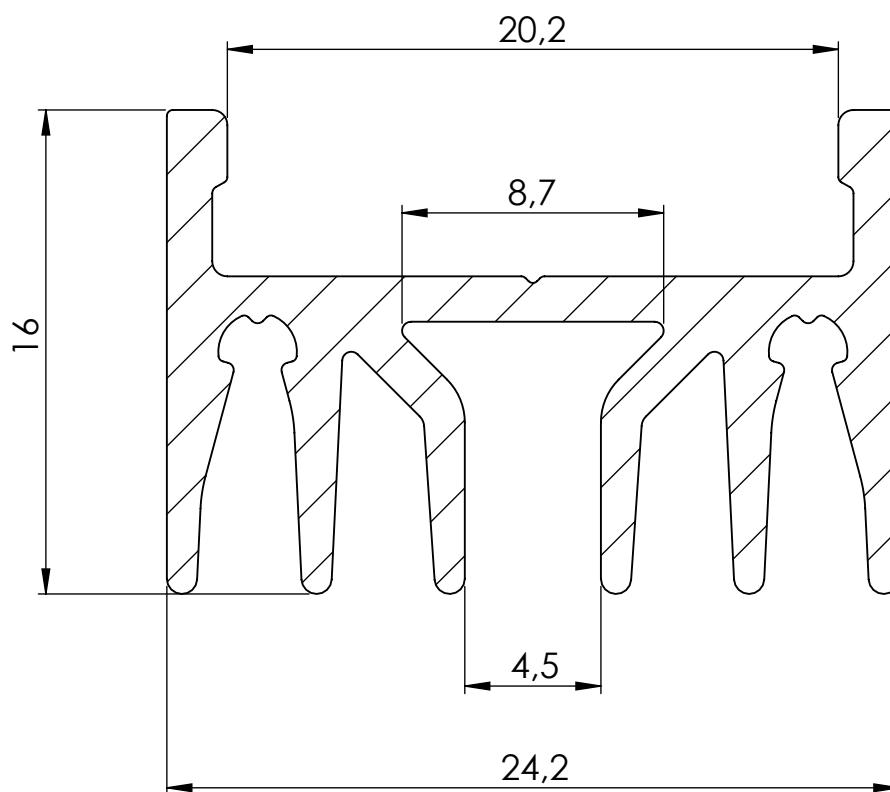
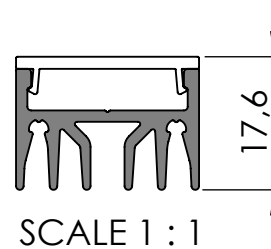


ALU-EPOXY LED PROFILE



PRODUCT CODE: AL-EPOXY

DESCRIPTION: Alu-Epoxy, anodized aluminum LED profile

WEIGHT: 0.36 kg/m

UNITS: millimeters

SCALE: 4:1

SHEET SIZE: A4

LEDs-ON

www.ledson.eu

UL. PRZEMYSŁOWA 3

05-082 BLIZNE LASZCZYNSKIEGO

TEL. (+48)725590651

ALL RIGHTS RESERVED