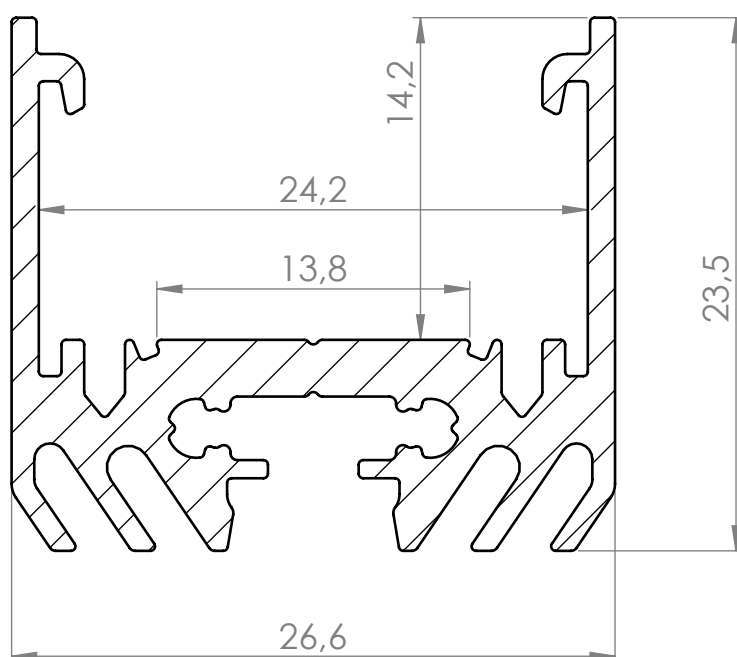
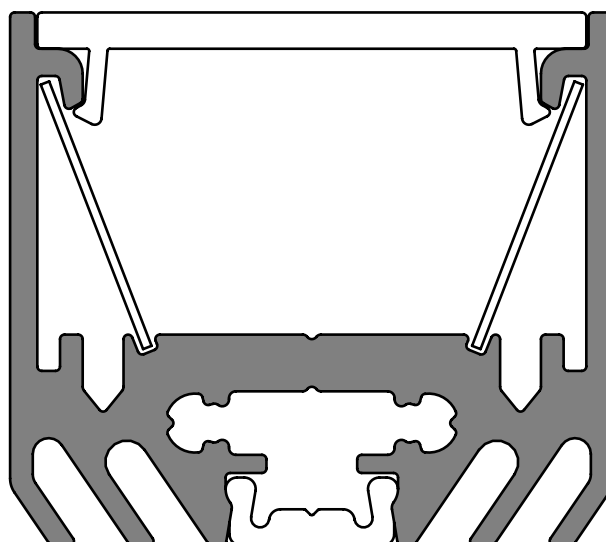


ALU EPOXY 2



PRODUCT CODE: AL-EP 2

DESCRIPTION: EPOXY 2, anodized in silver aluminum LED profile

WEIGHT: 0,46 kg/m

UNITS: millimeters

SCALE: 3:1

SHEET SIZE: A4

LEDs-ON

www.ledson.eu

UL. PRZEMYSŁOWA 3
05-082 BLIŻNE ŁASZCZYŃSKIEGO
TEL. (+48)725590651

ALL RIGHTS RESERVED