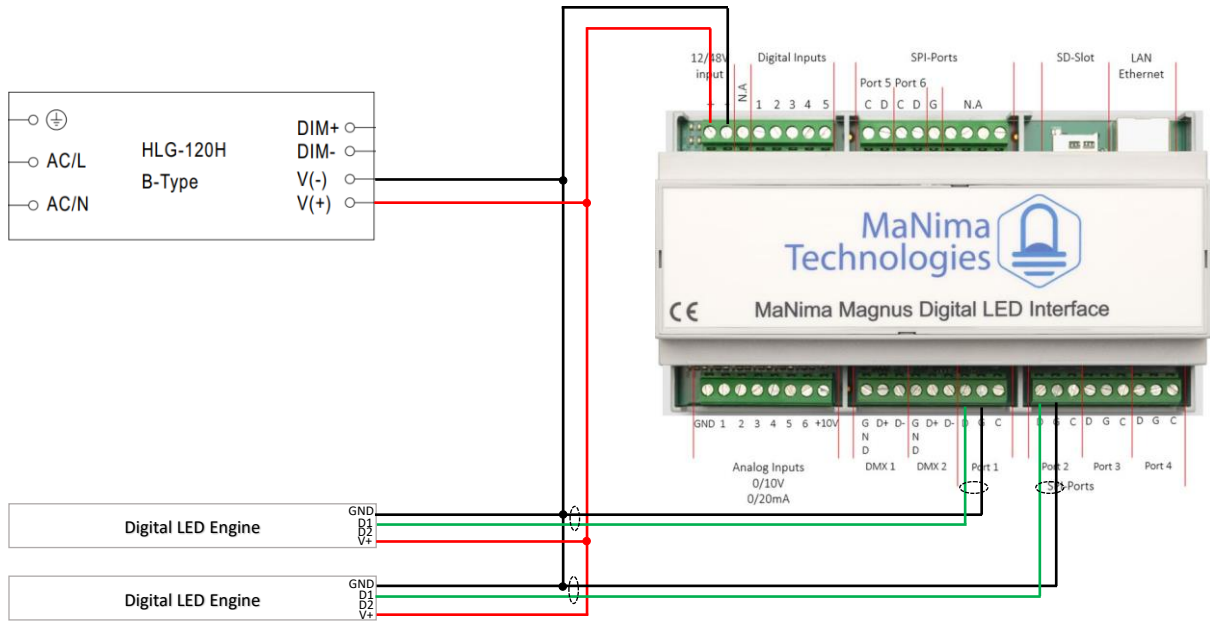
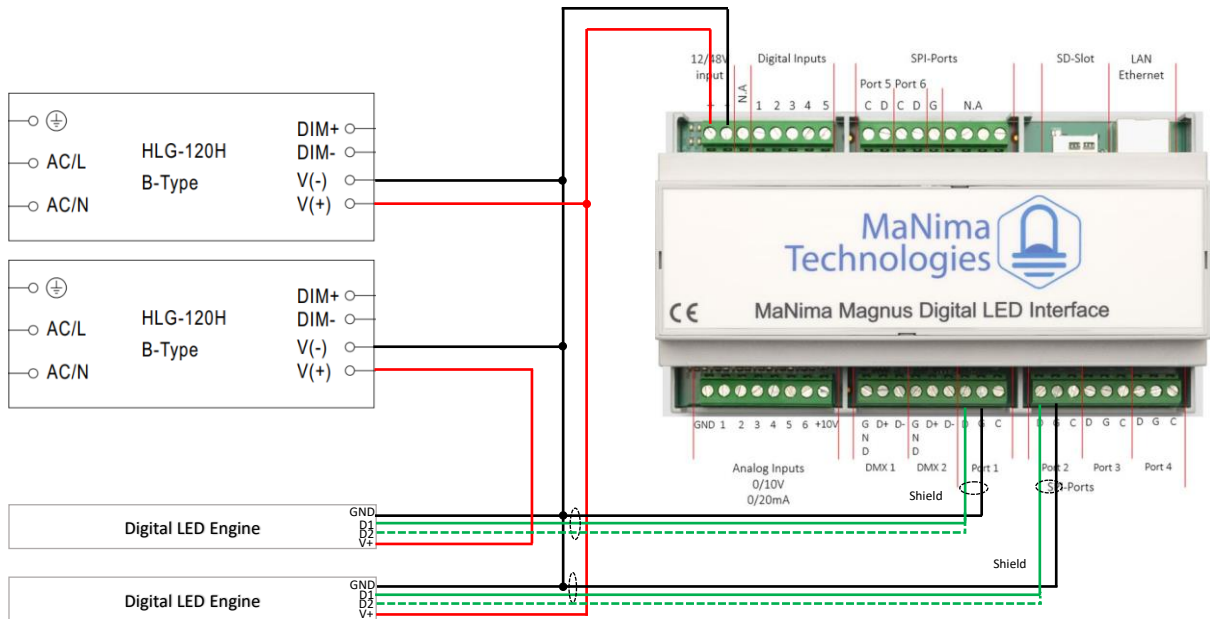


Digital LED Strip Single Power Source Wiring Diagram



Digital LED Strip Multiple Power Sources Wiring Diagram



Back-up Data Diagram

Digital control is done by means of Data 1. Data 2 is a backup signal. A faulty LED on Data 1 will skip one digital LED and Data 2 will replace Data 1.

