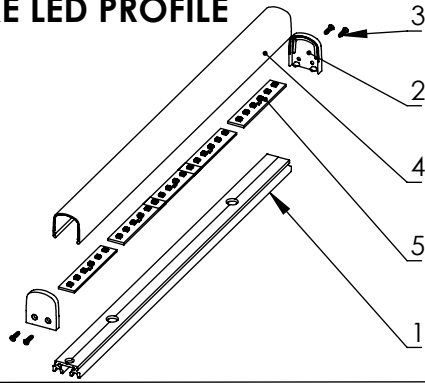


ALU-SQUARE LED PROFILE



Nr	Code	Comments	Quantity
1	AL-SQ	1 or 2[m]	1
2	EC- SQ-H1	end cap	2 per 1 luminaire
3	DIN 7982 ST2.2x13		2 per 1 end cap
4	AB-SQ-M	1 or 2[m]	
5	12x300 PCB with 3528 LEDs		

