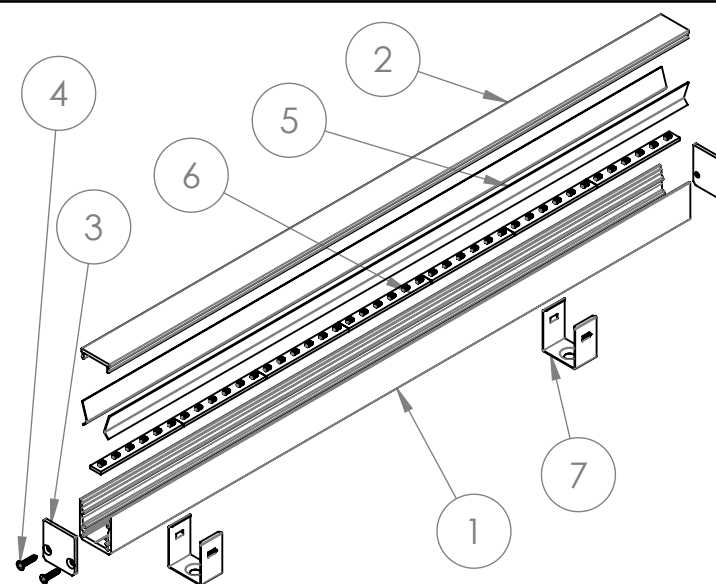


SL 15 FL

List of luminaire components



Item	Code	Comments	Quantity
1	AL-SL15 FL	2, 3 or 6.1 [m]	1
2	AB-SL FL	2, 3 or 6.1 [m]	1
3	EC-SL15 FL	end cap	2 per luminaire
4	DIN 7982 ST2.2x9.5	included	2 per end cap
5	AL-REF13-B60	reflector Vega 95 1,98 or 2,98 [m]	2 per profile
6	6-DURIS	PCB 24VDC LEDs Osram Duris E3	3 per 1 [m]
7	MC-SL15 FL	spring steel mounting bracket	2 per 1 [m]

1

AL-SL15 FL

AB-SL FL

2 x AL-REF13-B60

$\phi 5 - \phi 6$

L [mm]

L-1 [mm]

L-15 [mm]

2

width LED max 12 [mm]

24V DC IN

Use thermal conductive tape

Slide the reflectors into the slots.
Remove the protective film using gloves.

3 Screw the end cap

Click the diffuser

4 Drill the fixing holes

~1000mm

Connect power cable