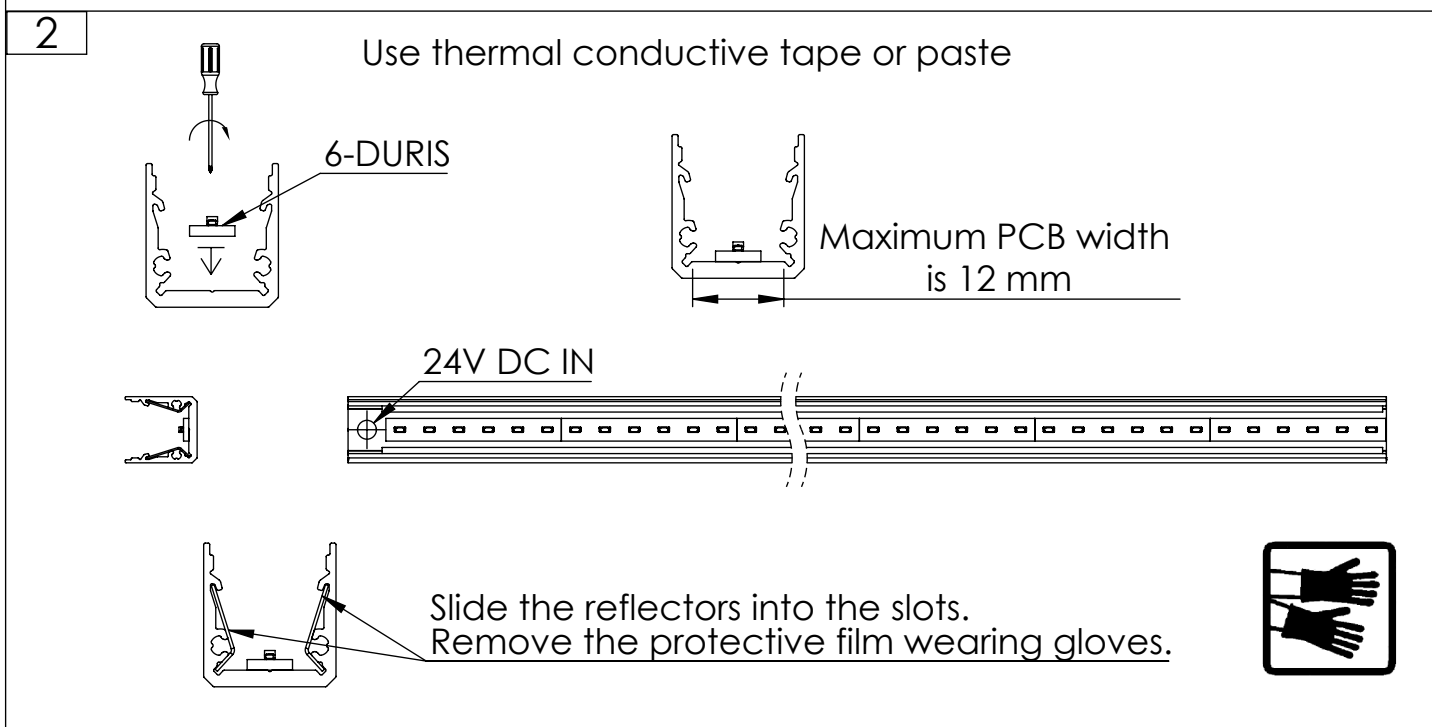
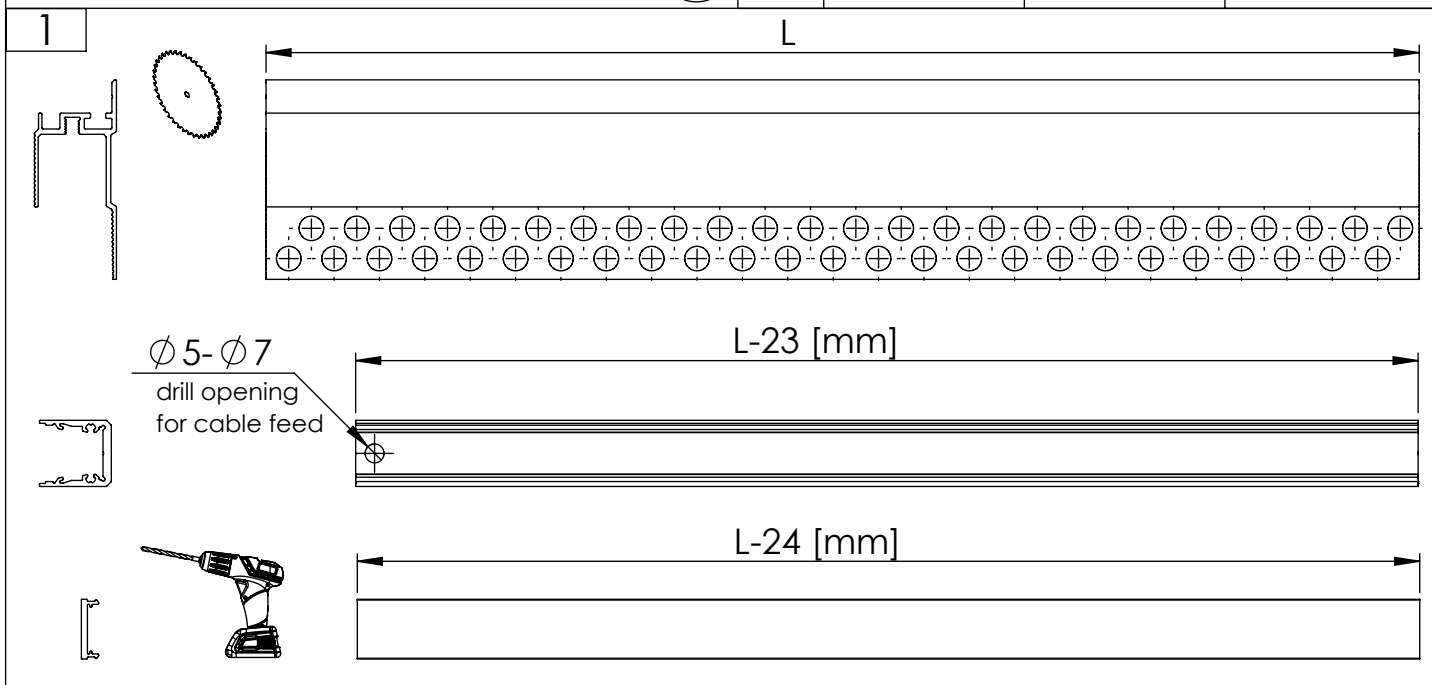
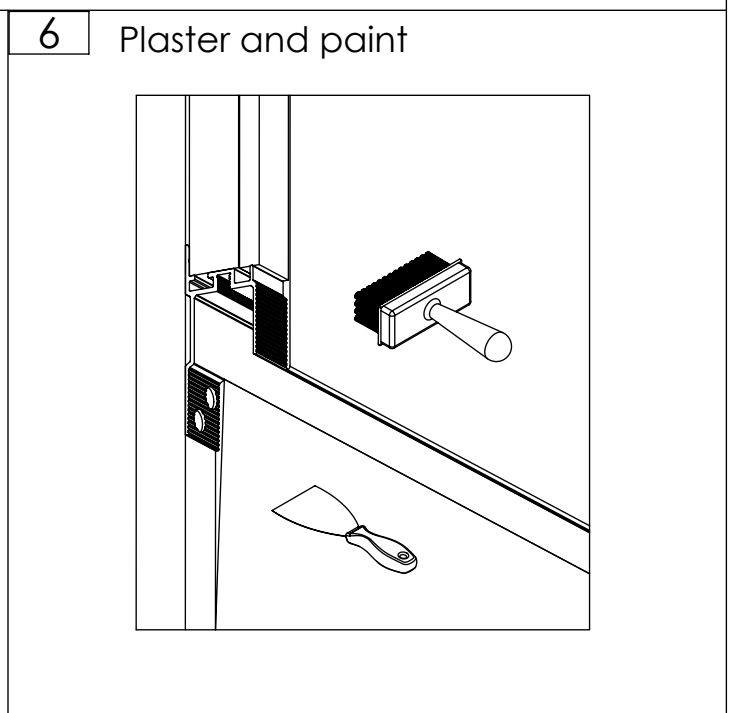
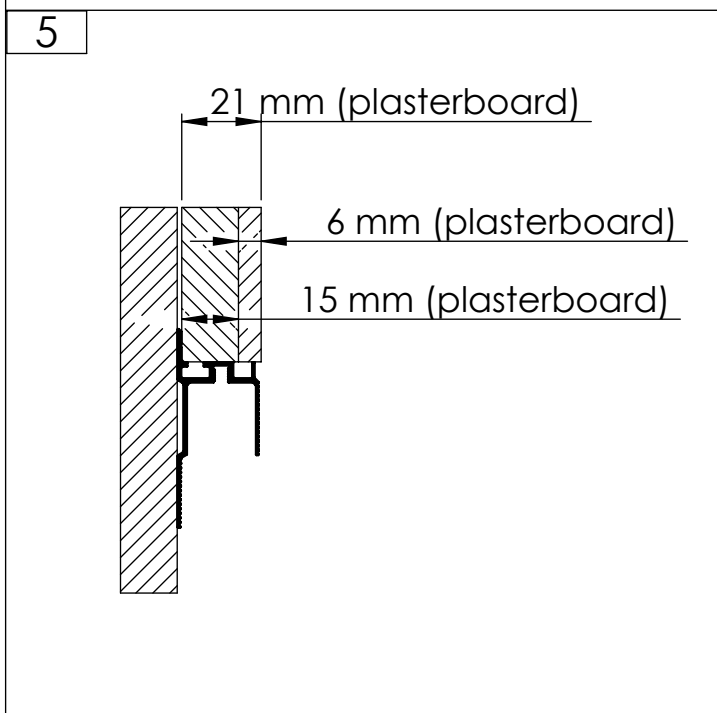
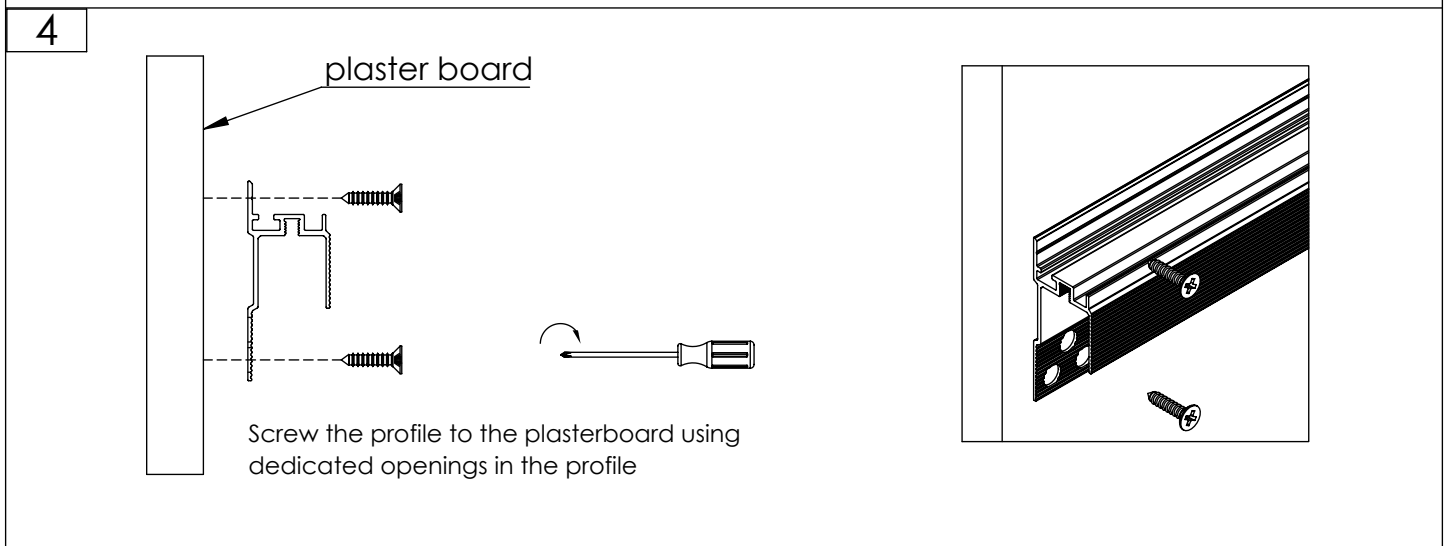
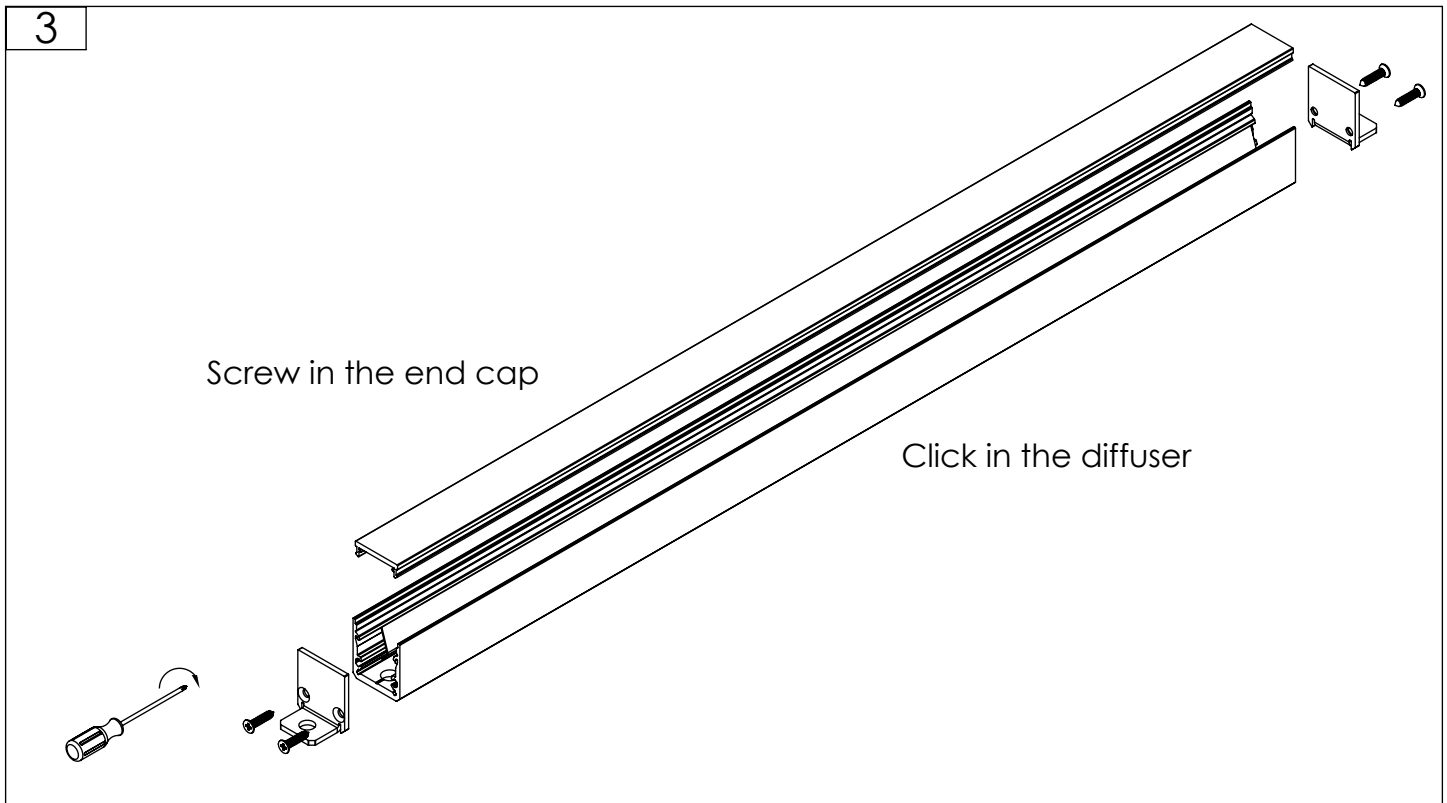


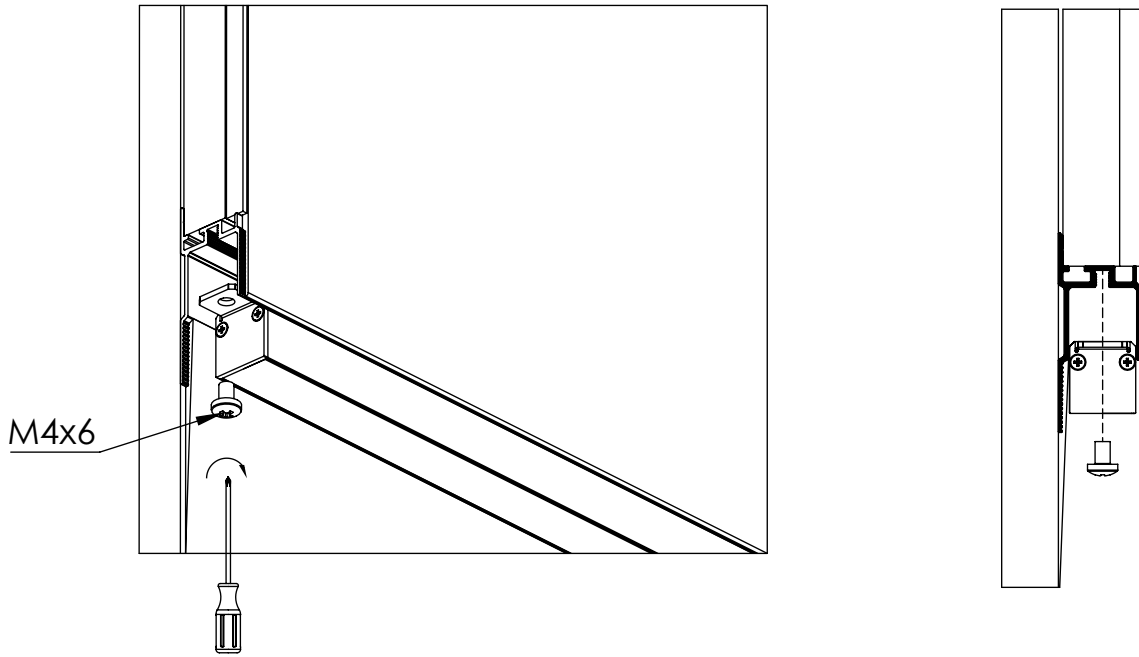
List of luminaire components

Item	Code	Comments	Quantity
1	AL-COVE 1	2, 3 or 6.1 [m]	1
2	AL-SL15 FL	2, 3 or 6.1 [m]	1
3	AB-SL15 FL	2, 3 or 6.1 [m]	1
4	AL-REF13-B60	reflector Vega 95 1,98 or 2,98 [m]	2 per profile
5	EC-SL15 FL-H1	end cap	2 per luminaire
6	DIN 7985 M4x6	in set	1 per end cap
7	DIN 7982 ST2.2x9.5	in set	2 per end cap
8	6-DURIS	PCB 24VDC LEDs Osram Duris E3	3 per 1 [m]
9	LC-LIN	linear connector	1 per join
10	90LC-HOR	90° horizontal connector	1 per join

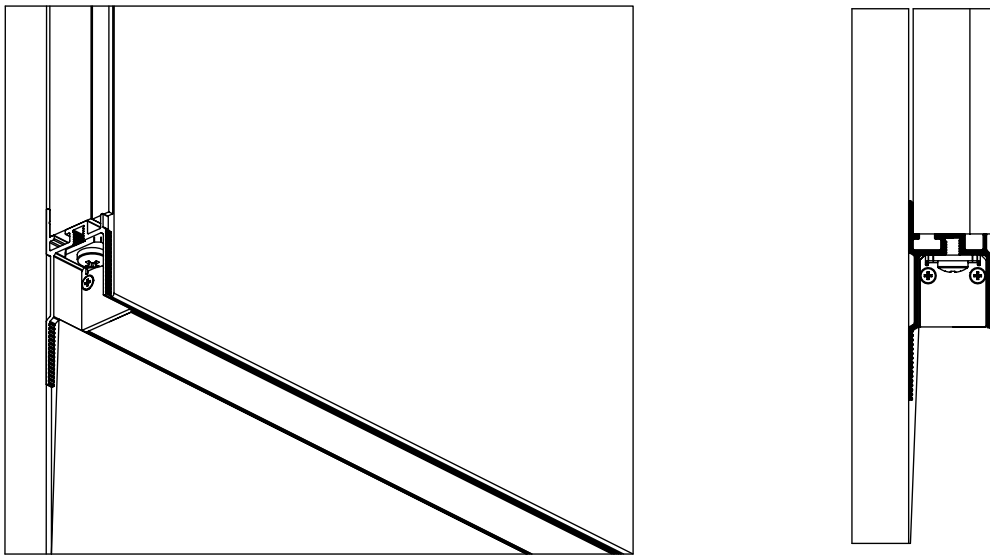




7 Screw the LED profile (SL15 FL) into the base (COVE 1)



8 Connect power cable



9 Option:
Angle connection

