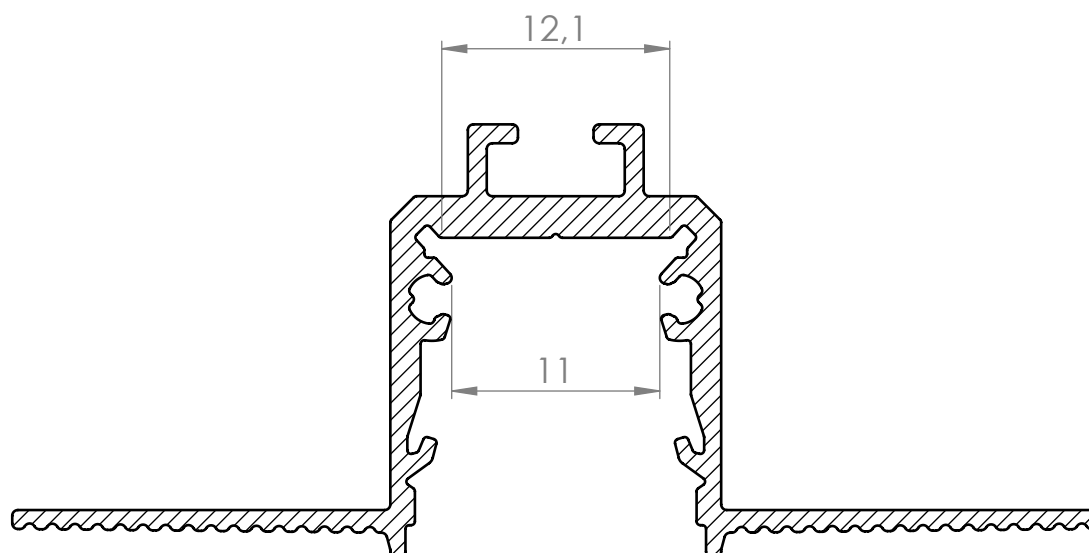
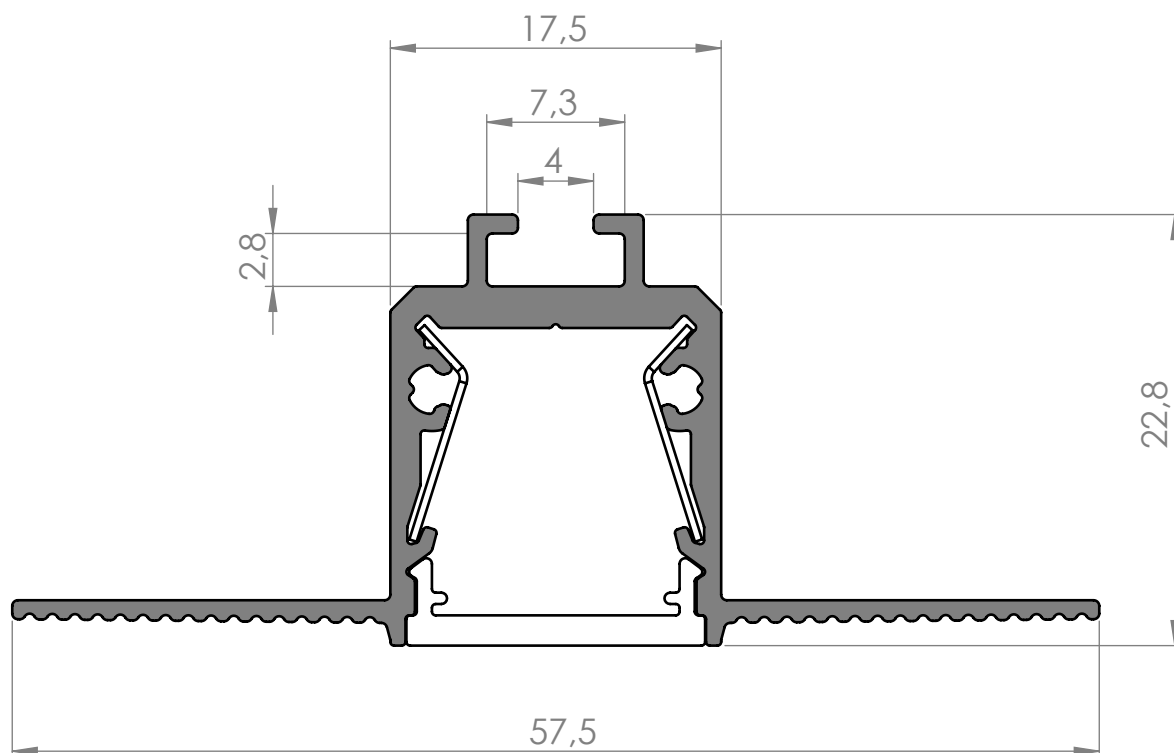


# RSL15 US



PRODUCT CODE: AL-RSL15 US

DESCRIPTION: RSL15 US, aluminium LED profile

WEIGHT: 0,37 kg/m

UNITS: millimeters

SCALE: 2.5:1

SHEET SIZE: A4

**LEDs-ON**

[www.ledson.eu](http://www.ledson.eu)

UL. PRZEMYSŁOWA 3  
05-082 BLIZNE LASZCZYNSKIEGO  
TEL. (+48)725590651

ALL RIGHTS RESERVED