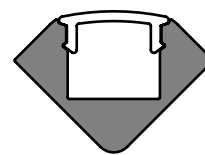
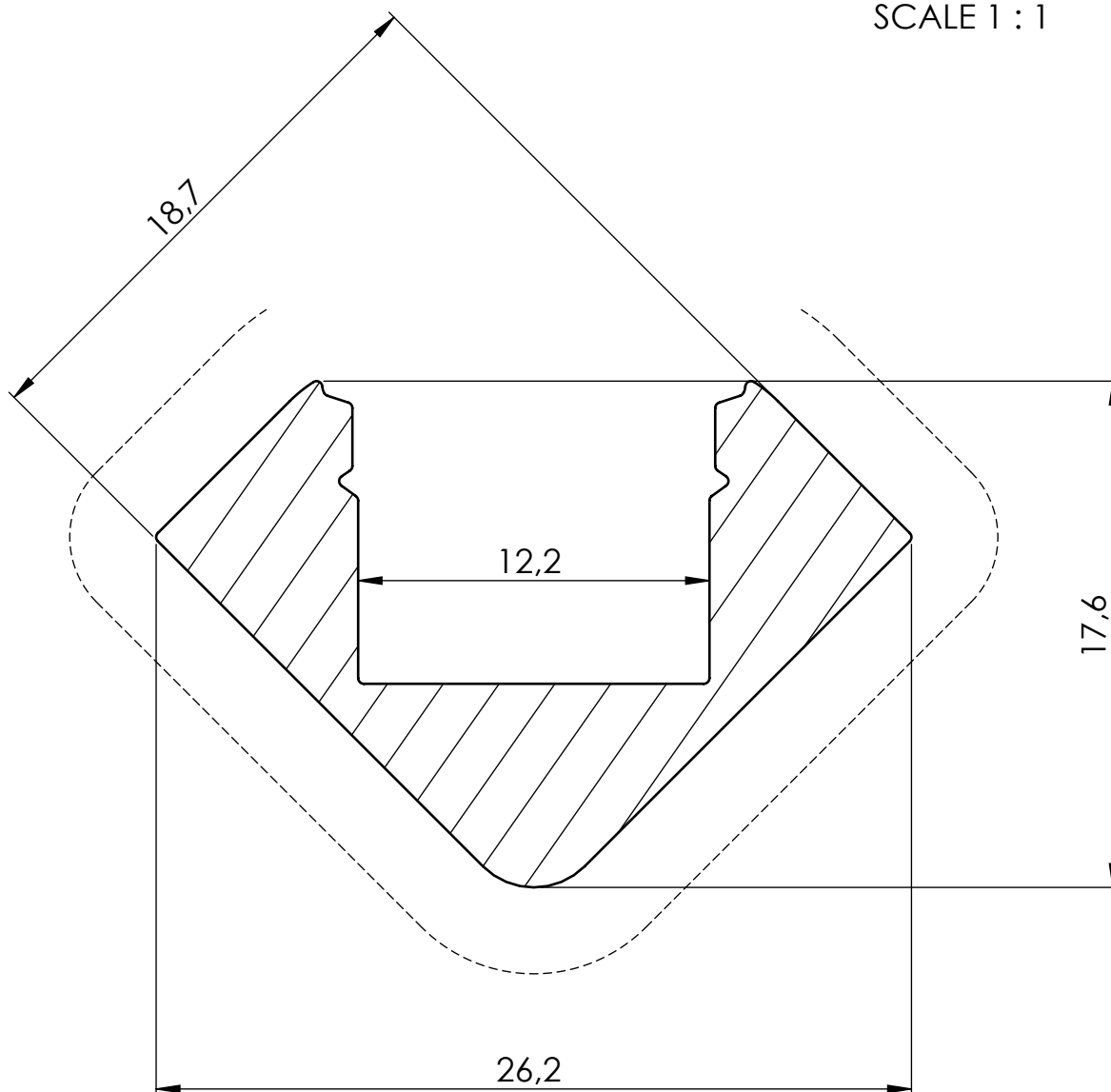


ALU-45° LED PROFILE



SCALE 1 : 1



----- painted surface (optional)

PRODUCT CODE:	AL-D2/ AL-RD2	LEDs-ON www.ledson.eu UL. PRZEMYSŁOWA 3 05-082 BLIZNE LASZCZYNSKIEGO TEL. (+48)725590651
DESCRIPTION:	Alu-45, anodized or painted aluminum LED profile	
WEIGHT:	0.42 kg/m	UNITS: millimeters
SCALE:	4:1	SHEET SIZE: A4
		ALL RIGHTS RESERVED